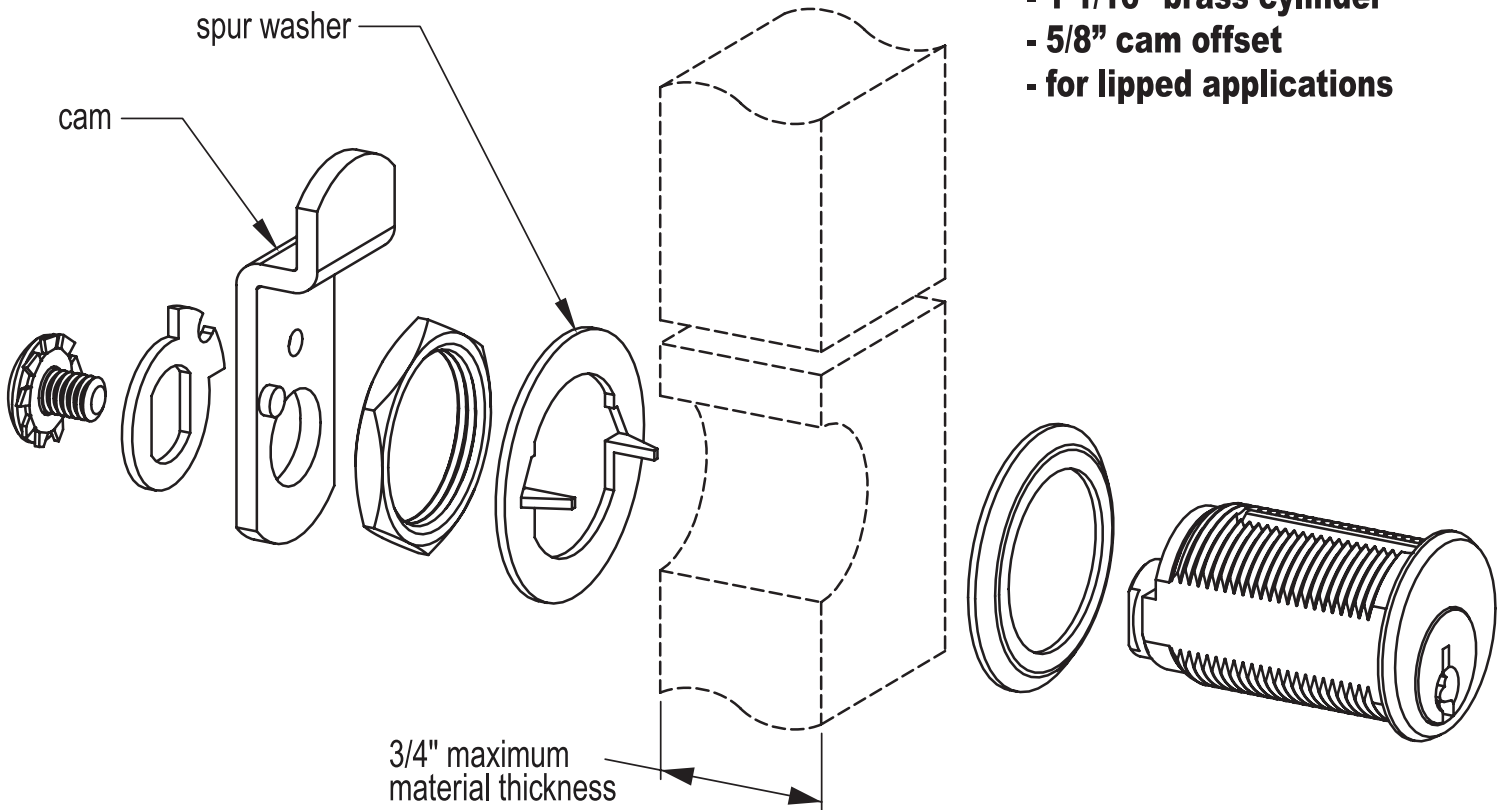


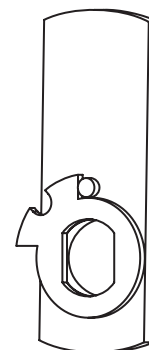
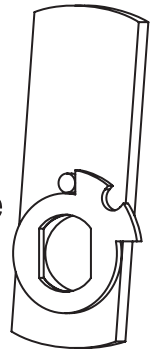
C8102 CAM LOCK

- 4 pin tumbler
- 1 1/16" brass cylinder
- 5/8" cam offset
- for lipped applications



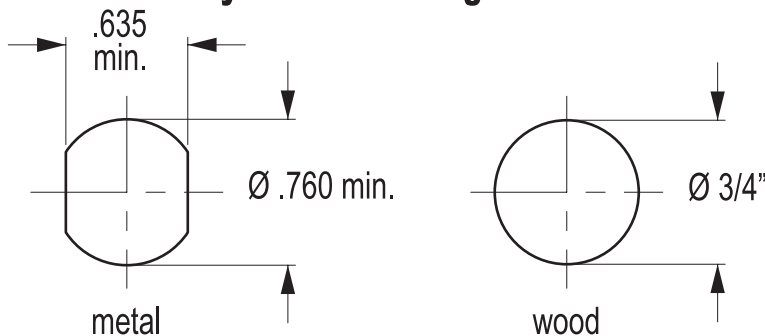
Note: cams are not reversible

Extra cam for right hand door or counter clockwise drawer use



Assembled with cam for left hand door or clockwise drawer use

Cylinder mounting holes



Note: Do not use spur washer with metal door or drawer